

# NEW AND REFURBISHED BEARINGS FOR MPS-TYPE COAL PULVERIZERS

## Cylindrical Thrust Roller Bearings



## NEED A NEW OR REFURBISHED COAL PULVERIZER BEARING? TURN TO MESSINGER.

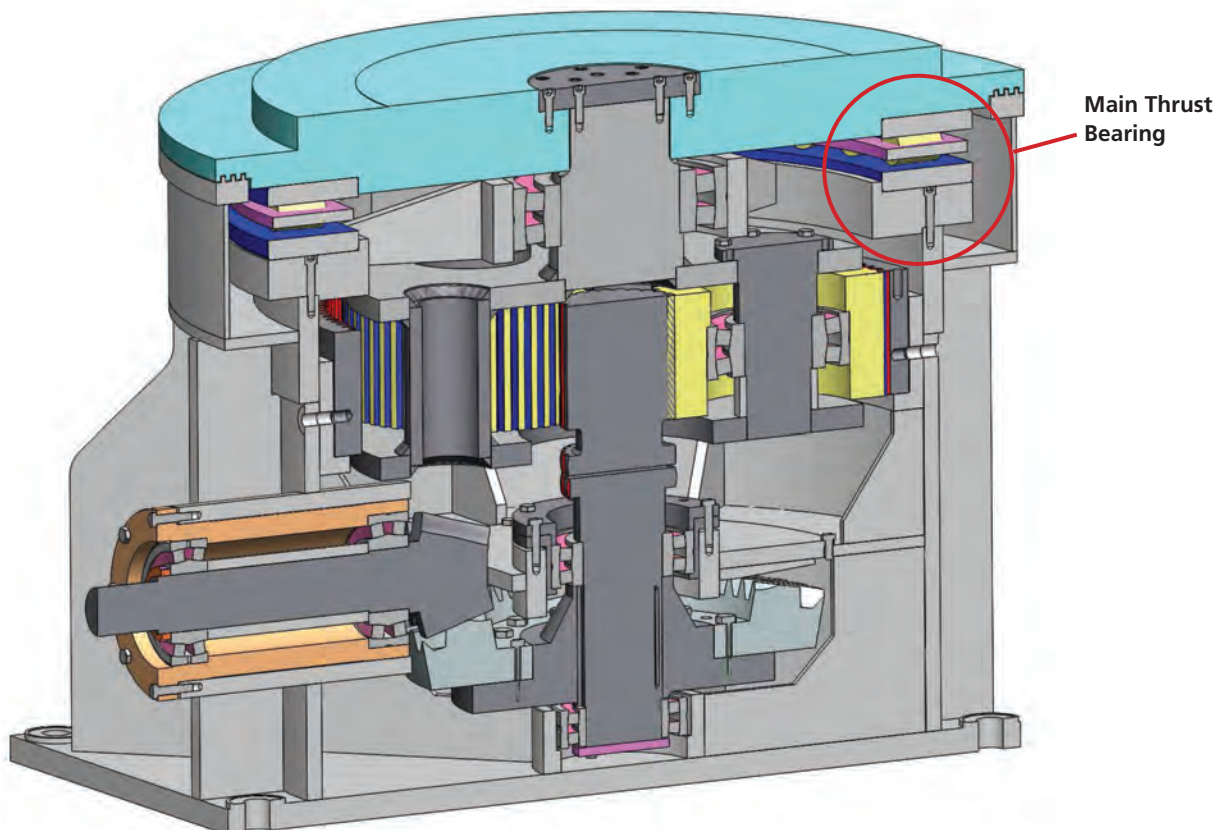
### **The Original Bearing Manufacturer Is Also The Best For Replacements.**

Messinger has provided many bearings for MPS-type coal pulverizers. We have a long history of collaborating with OEMs and gear box manufacturers in specifying large main thrust roller bearings for use in their assemblies. This equipment is relied on by power generation facilities all over the world.

## PREVENT EXPENSIVE DOWNTIME WITH REPLACEMENT BEARINGS FOR COAL PULVERIZER APPLICATIONS.

Messinger Bearings has extensive experience in the power generation market, specifically with coal-fired power plants. Even with alternative energy sources growing, there is still market demand and a need to support the many coal pulverizer units that are in operation today.

We engineer and manufacture the large thrust roller bearings typically found in the gearboxes of coal pulverizer units at electric utility plants. Some of these gearboxes require bearings as large as 63" in outer diameter (O.D.). Messinger has specialized in these types of bearings for decades and maintains an extensive library of engineering drawings. Much of this documentation is filed by customer, bearing design, and dimension. Since many of these projects were for OEMs, many plants will have an application where Messinger bearings are still used.



*Gearbox image courtesy of Horsburgh & Scott*

**MPS-Type Coal Pulverizers: Available in Different Sizes And Units of Output.**

Refer to the table below for the MPS-type model and boundary dimensions of the main thrust roller bearing in the assembly.

<b>B &amp; W COAL PULVERIZER MODEL</b>	<b>ID</b>	<b>OD</b>	<b>WIDTH</b>	<b>AVAILABILITY</b>
MPS-75	29.250	44.000	7.500	MTO
MPS-89	34.000	54.000	7.500	STOCK
MPS-98	35.433	62.795	7.480	MTO
MPS-118	43.000	63.000	7.500	MTO

The next time you need to replace a coal pulverizer bearing, whether it's from Messinger or another manufacturer, contact us with your part number. We'll be able to trace your bearing back to the original specification and get you up and running again quickly!



**CYLINDRICAL THRUST BEARINGS LIKE THE MPS-89 BEARING ARE USED IN COAL PULVERIZERS**

**MESSINGER BEARINGS  
QUICK FACTS**

- Original supplier of MPS-type bearings to OEMs
- We cater to the needs of both manufacturers and rebuilders of pulverizers and gear boxes
- Quick turnarounds for new or refurbished bearings
- Competitive pricing
- Refurbishment programs available
- Bearings meet all bidding specifications

**Need an MPS-89 bearing in a hurry? Messinger Bearings has them in stock! Call us at 215-739-6880 for more information.**

## WE ENABLE SUPERIOR MACHINE PERFORMANCE THROUGH EXPERT BEARING SOLUTIONS.



Messinger possesses unique large bearing manufacturing capabilities to meet the specifications and delivery requirements of heavy industry. Since 1912, Messinger Bearings has been focused on engineering and manufacturing custom bearings that provide the best solution for our customers' applications.

Messinger is in an elite category of manufacturers capable of producing extremely large bearings. We are the only North American manufacturer to produce and repair rolling element bearings up to 25 feet in diameter.

Contact Messinger to learn how our core skills and experience can deliver unparalleled technical support, expert field service, and timely delivery to help you maintain superior machine performance.



**For application assistance or to get a quote, visit our website.**

10385 Drummond Road, Philadelphia, PA 19154

Ph: 215-739-6880 Fx: 215-824-4989 [www.messingerbearings.com](http://www.messingerbearings.com)